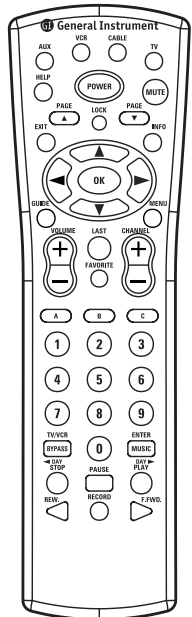


GI General Instrument DRC-400/425

UNIVERSAL REMOTE CONTROL



MADE IN INDONESIA

USER GUIDE

OVERVIEW

The General Instrument DRC Universal Remote Control will control up to four devices, including GI Cable Converters (i.e., DCT-1000, DCT-1200, DCT-2000, and DCT-5000), most TVs and VCRs, and auxiliary components.

The DRC requires two fresh AA alkaline batteries and easy programming to control all functions of your Cable Converter, as well as all of the basic functions of your other original remote controls.

For best results, please read and perform all instructions listed here. Also, keep these instructions for future reference.

FEATURES AND FUNCTIONS

Use the DRC mode keys (i.e., AUX, VCR, CABLE, or TV) to control a desired device. When pressed, the selected mode key will light, confirming your choice. Use the other keys to perform desired actions (see the following key chart).

NOTE: The selected mode will remain active until you press another mode key.

Press AUX, VCR, CABLE, or TV once to select a home entertainment component to control.

	Press POWER once to turn on or off the selected home entertainment component.
	Press HELP once to display the help screen.
	Press MUTE once to turn sound off or on.
	Use PAGE ▲ (or PAGE ▼) to page up (or down) through menu screens and the program guide.
	Use LOCK/PPV* to restrict viewing of selected programs or to view the PPV menu.
	Use EXIT to exit menu or guide.
	Use INFO to display current channel and program information.
	Use cursor keys to move the cursor in the program guide and menu screens.
	Use OK/SELECT* to select menu options, PPV events, and to tune programs from the program guide.
	Use GUIDE to display the program guide.
	Use MENU to display the main menu.
	In TV or CABLE mode, use VOLUME + (or VOLUME -) to raise (or lower) sound volume.
	Use CHANNEL + (or CHANNEL -) to select the next higher (or lower) channel.
	Use LAST to recall last channel or go back one screen in the menu.
	In the CABLE mode, press FAVORITE once to display preset favorite cable channels.
	These functions are set by your cable system operator.
	Use the keypad (0 ~ 9) to directly select channels (e.g., 09 or 31).
	Press TV/VCR BYPASS once to switch VCR to view TV or tape (not supported by all applications).

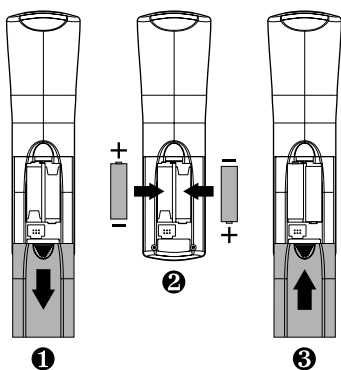
Use ENTER/MUSIC to display menu of digital music channels, or to enter channels on some TV models.

In the VCR and TV modes, use the STOP, PAUSE, PLAY, REW., RECORD, and F.FWD. keys to control VCR. To record a program, press RECORD once.

In the CABLE mode, press DAY> (or <DAY) once to move the program guide ahead (or back) 24 hours.

**NOTE: Functionality of the LOCK/PPV and SELECT/OK keys are dependent on the software and the model of converter.*

INSTALLING BATTERIES



- On the DRC's back, pull back the battery cover and remove it.
- Obtain two (2) fully-charged AA alkaline batteries. Match the + and - marks on the batteries to the + and - marks in the battery case, then insert the batteries.
- Push the battery cover back into place.
- Test the unit by pressing POWER and any mode key (e.g., AUX, VCR, CABLE, or TV). If the batteries are inserted correctly, the selected mode key will be lit.

NOTE: Removing the batteries WILL NOT require you to reprogram your DRC. A selected mode key will blink two times with each key press when batteries need replacing.

PROGRAMMING TV CONTROL

- Turn on the TV.
- On the DRC, press and hold TV (at least 6 seconds) until you see the programming mode start. Each mode key light will turn off and on sequentially, starting with AUX on through TV, and the sequence will repeat twice. At this time, release TV and wait until it's lit continuously.

3. Locate the code for your TV in *Setup Codes for TVs* below. Brands are listed in alphabetical order with the most popular codes listed first.

4. Enter the first four-digit code for your TV. If you perform this procedure correctly, the TV light will blink three times.

NOTE: If you enter an invalid code, the TV light will turn off. In that case, repeat steps 2 through 4 with a valid code.

5. Aim the DRC at your TV and press POWER once. The TV should turn off. If it does not respond, repeat steps 2-4, trying each code listed for your brand until you find the one that operates your TV. If your TV still does not work with the DRC, try searching for the code (see *Searching For Your Code* on the back side).

6. Write your TV code in the boxes below for future reference.



NOTE: Remember, to use the DRC to operate your TV, press TV first.

Setup Codes for TVs:

A-Mark	0003
AOC	0030, 0019, 0003, 0052, 0137, 0185
Abex	0032
Admiral	0093
Adventura	0046
Aiko	0092
Akai	0030, 0098
Alaron	0179, 0183, 0216
Ambassador	0177
Ampro	0751
Anam	0180, 0004, 0009, 0068
Anam National	0055, 0161
Archer	0003
Astro Text	0379
Audiovox	0451, 0180, 0003, 0092, 0623
Baysonic	0180
Belcor	0019
Bell & Howell	0154, 0016
Bradford	0180
Brockwood	0019
Broksonic	0236, 0463, 0003
CCE	0217, 0329
CXC	0180
Candle	0030, 0056, 0046, 0186
Carnivale	0030
Carver	0054
Celebrity	0000
Cineral	0451, 0092
Citizen	0060, 0030, 0056, 0039, 0046, 0092, 0186, 0280
Clairtone	0185
Concerto	0056
Contec	0180, 0157, 0158, 0185
Craig	0180, 0161
Crosley	0054
Crown	0180, 0039
Curtis Mathes	0047, 0054, 0154, 0051, 0451, 0093, 0060, 0030, 0145, 0056, 0016, 0039, 0166, 0466
Daewoo	0451, 0019, 0039, 0091, 0092, 0623, 0624
Daytron	0019
Denon	0145
Dumont	0017, 0019
Dwin	0720, 0774
Dynatech	0049
Electroband	0000, 0185
Electrohome	0381, 0389, 0409
Emerson	0154, 0236, 0463, 0180, 0282, 0178, 0019, 0179, 0039, 0038, 0158, 0177, 0181, 0182, 0183, 0185, 0270, 0280, 0623, 0624
Envision	0030
Fisher	0154, 0159
Fujitsu	0179
Funai	0180, 0179, 0171
Futuretech	0180
GE	0047, 0051, 0451, 0093, 0282, 0178, 0021, 0055, 0027, 0029, 0135, 0174, 0251, 0279
Gibraltar	0017, 0030, 0019
GoldStar	0030, 0178, 0019, 0056, 0001, 0002, 0032, 0106, 0409
Gradiente	0053, 0056, 0392
Grunpy	0180, 0179
Hallmark	0178
Harley Davidson	0179
Harman/Kardon	0054, 0078
Harvard	0180, 0068
Hitachi	0145, 0056, 0032, 0038, 0097, 0151, 0279, 0409, 0413
Infinity	0054
Inteq	0017
JBL	0054
JCB	0000
JVC	0053, 0036, 0069, 0160, 0169, 0182
Janeil	0046
KEC	0180
KMC	0106
KTV	0180, 0030, 0039, 0183, 0185, 0217, 0280
Kamp	0216
Kawasho	0158, 0216, 0308
Kaypani	0052
Kenwood	0030, 0019
Kloss	0024, 0046, 0078
LG	0056
LXI	0047, 0054, 0154, 0156, 0178, 0148
Logik	0016
Luxman	0056
MEI	0185
MGA	0150, 0030, 0178, 0019, 0155
MTC	0060, 0030, 0019, 0056, 0049, 0091, 0185, 0216
Magnavox	0054, 0030, 0179, 0020, 0024, 0028, 0036, 0096, 0186, 0187, 0230, 0386
Majestic	0016, 0015
Marantz	0054, 0030
Matsushita	0250
Megatron	0178, 0145, 0003
Memorex	0154, 0250, 0150, 0178, 0056, 0016, 0106
Midland	0047, 0017, 0051, 0039, 0032, 0135
Minutz	0021
Mitsubishi	0093, 0150, 0178, 0019, 0014, 0098, 0155, 0331, 0358
Motorola	0093, 0055
Multitech	0180, 0049, 0217
NAD	0156, 0178, 0166
NEC	0030, 0019, 0056, 0036, 0497
NTC	0092
Nikko	0030, 0178, 0092
Noblex	0430
Noshi	0018
Onwa	0180
Optimus	0154, 0250, 0166
Optonica	0093, 0165
Orion	0236, 0463, 0179
Panasonic	0051, 0250, 0055, 0162, 0226
Penney	0047, 0156, 0051, 0060, 0030, 0178, 0021, 0019, 0018, 0056, 0039, 0002, 0003, 0027, 0032, 0110, 0135
Philco	0054, 0463, 0030, 0145, 0019, 0020, 0028, 0096
Philips	0054
Pilot	0030, 0019, 0039
Pioneer	0038, 0166
Portland	0019, 0039, 0092
Prism	0051
Proscan	0047
Proton	0178, 0003, 0031, 0052, 0466
Pulsar	0017, 0019
Quasar	0051, 0250, 0165, 0055, 0219
RCA	0047, 0051, 0093, 0019, 0018, 0029, 0038, 0090, 0135, 0174, 0278
Radio Shack	0047, 0154, 0165, 0180, 0030, 0178, 0019, 0056, 0039, 0032, 0409
Realistic	0154, 0165, 0180, 0030, 0178, 0019, 0056, 0039, 0032
Rhapsody	0183, 0185, 0216
Runco	0017, 0030, 0251, 0497, 0603
SSS	0180, 0019
Sampo	0030, 0039, 0032, 0052, 0110
Samsung	0060, 0030, 0178, 0019, 0056, 0032, 0329, 0427, 0482
Samsux	0039
Sansei	0451
Sansui	0463
Sanyo	0154, 0146, 0159, 0484
Scimitsu	0019
Scotch	0178
Scott	0236, 0180, 0178, 0019, 0179
Sears	0047, 0054, 0154, 0156, 0178, 0179, 0056, 0015, 0146, 0148, 0159, 0168, 0171, 0281
Semivox	0180
Semp	0156
Sharp	0093, 0165, 0039, 0153, 0157, 0281, 0386, 0491
Shogun	0019
Signature	0016
Simpson	0186, 0187
Sony	0000, 0011, 0080, 0111
Soundesign	0180, 0178, 0179, 0186
Spectricon	0003, 0137
Squareview	0171
Starlite	0180
Supre-Macy	0046
Supreme	0000
Sylvania	0054, 0030, 0020, 0028, 0065, 0096, 0381
Symphonic	0171
TMK	0178, 0056, 0177
Tandy	0093
Tatung	0055, 0003, 0049, 0396
Technics	0051, 0250
Technol Ace	0179
Technovox	0007
Techwood	0051, 0056, 0003
Teknika	0054, 0180, 0150, 0060, 0019, 0179, 0056, 0016, 0039, 0092, 0186, 0312
Telefunken	0056
Tera	0031
Toshiba	0154, 0156, 0060, 0036
Tosonic	0185
Totevision	0039
Trical	0157
Universal	0027
Vector Research	0030
Victor	0053
Video Concepts	0098
Vidikron	0054, 0242
Vidtech	0178, 0019, 0036
Viking	0046, 0312
Wards	0054, 0165, 0030, 0178, 0021, 0019, 0179, 0056, 0016, 0020, 0027, 0028, 0029, 0080, 0096, 0111, 0174
White Westinghouse	0623, 0624
Yamaha	0030, 0019
Zenith	0017, 0016, 0092
Zonda	0003

Radio Shack	0047, 0154, 0165, 0180, 0030, 0178, 0019, 0056, 0039, 0032, 0409
Realistic	0154, 0165, 0180, 0030, 0178, 0019, 0056, 0039, 0032
Rhapsody	0183, 0185, 0216
Runco	0017, 0030, 0251, 0497, 0603
SSS	0180, 0019
Sampo	0030, 0039, 0032, 0052, 0110
Samsung	0060, 0030, 0178, 0019, 0056, 0032, 0329, 0427, 0482
Samsux	0039
Sansei	0451
Sansui	0463
Sanyo	0154, 0146, 0159, 0484
Scimitsu	0019
Scotch	0178
Scott	0236, 0180, 0178, 0019, 0179
Sears	0047, 0054, 0154, 0156, 0178, 0179, 0056, 0015, 0146, 0148, 0159, 0168, 0171, 0281
Semivox	0180
Semp	0156
Sharp	0093, 0165, 0039, 0153, 0157, 0281, 0386, 0491
Shogun	0019
Signature	0016
Simpson	0186, 0187
Sony	0000, 0011, 0080, 0111
Soundesign	0180, 0178, 0179, 0186
Spectricon	0003, 0137
Squareview	0171
Starlite	0180
Supre-Macy	0046
Supreme	0000
Sylvania	0054, 0030, 0020, 0028, 0065, 0096, 0381
Symphonic	0171
TMK	0178, 0056, 0177
Tandy	0093
Tatung	0055, 0003, 0049, 0396
Technics	0051, 0250
Technol Ace	0179
Technovox	0007
Techwood	0051, 0056, 0003
Teknika	0054, 0180, 0150, 0060, 0019, 0179, 0056, 0016, 0039, 0092, 0186, 0312
Telefunken	0056
Tera	0031
Toshiba	0154, 0156, 0060, 0036
Tosonic	0185
Totevision	0039
Trical	0157
Universal	0027
Vector Research	0030
Victor	0053
Video Concepts	0098
Vidikron	0054, 0242
Vidtech	0178, 0019, 0036
Viking	0046, 0312
Wards	0054, 0165, 0030, 0178, 0021, 0019, 0179, 0056, 0016, 0020, 0027, 0028, 0029, 0080, 0096, 0111, 0174
White Westinghouse	0623, 0624
Yamaha	0030, 0019
Zenith	0017, 0016, 0092
Zonda	0003

PROGRAMMING VCR CONTROL

- Turn on your VCR and insert a video cassette.
- On the DRC, press and hold VCR (at least 6 seconds) until you see the programming mode start. Each of the mode key lights will turn off and on sequentially, starting with AUX on through TV, and the sequence will repeat twice. During this time, release VCR and wait until it's lit continuously.

3. Locate your VCR brand in the *SETUP CODES FOR VCRs* below. Brands are listed in alphabetical order with the most popular codes listed first.

4. Enter the first four-digit VCR code for your VCR. If you perform this procedure correctly, the VCR light will blink three times.

NOTE: If you enter an invalid code, the VCR light will turn off. In that case, repeat steps 2 through 4 with a valid code.

5. Aim the DRC at your TV and press POWER once. Your VCR should turn off. If your VCR remote control does not have a POWER key, press PLAY. If it does not respond, repeat steps 2-4, trying each code listed for your brand until you find the one that operates your VCR. If your VCR still does not work with the DRC, try searching for the code (see *Searching For Your Code* on the back side).

6. Write your VCR code in the boxes below for future reference.



NOTE: Remember, to use the DRC to operate your VCR, press VCR first.

Setup Codes for VCRs:

Action	0317
Admiral	0048
Adventura	0000
Aiko	0278
Aiwa	0037, 0000, 0307, 0468
Akai	0041, 0049, 0053, 0061, 0106, 0156, 0242
American High	0035
Asha	0240
Audiovox	0037
Beaumarck	0240
Bell & Howell	0104
Broksonic	0184, 0121, 0209, 0002, 0211, 0295, 0361, 0479
CCE	0072, 0278
Calix	0037
Canon	0035, 0102, 0167
Capehart	0020
Carver	0081
Cineral	0278
Citizen	0037, 0278
Colt	0072
Craig	0037, 0047, 0240, 0072, 0271
Curtis Mathes	0060, 0035, 0041, 0162
Cybernex	0240, 0051
Daewoo	0045, 0278, 0017, 0020, 0087, 0561
Daytron	0020
Denon	0042
Dynatech	0000
Electrohome	0037
Electrohome	0037
Emerex	0032
Emerson	0037, 0184, 0000, 0121, 0043, 0209, 0002, 0278, 0036, 0061, 0068, 0088, 0208, 0211, 0212, 0

PROGRAMMING VCR CONTROL

Setup Codes for VCRs (continued):

Sony	0035, 0032, 0000, 0033, 0034, 0011, 0253
Sunpak	0253
Sylvania	0035, 0081, 0000, 0043, 0103, 0110
Symphonic	0000
TMK	0240, 0036, 0208
Tatung	0041
Teac	0000, 0041
Technics	0035, 0162, 0246
Teknika	0035, 0037, 0000, 0052
Thomas	0000
Toshiba	0045, 0043, 0057, 0066, 0210, 0212, 0366
Totevision	0037, 0240
Unitech	0240
Vector	0045
Vector Research	0038, 0040
Video Concepts	0045, 0040, 0061, 0221
Videosonic	0240
Wards	0060, 0035, 0048, 0047, 0081, 0240, 0000, 0042, 0072, 0149, 0062, 0212
White Westinghouse	0278
XR-1000	0035, 0000, 0072
Yamaha	0038
Zenith	0039, 0000, 0033, 0034

Setup Codes for TV/VCR Combos:

Brocksonic	0002, 0479 (for TV use 0463)
Citizen	0278
Colt	0072
Curtis Mathes	0035 (for TV use 0051)
Daewoo	0278 (for TV use 0624)
Emerson	0002, 0278 (for TV use 624), 0479 (for TV use 0463)
Funai	0000
GE	0240, 0035 (for TV use 0051), 0048 (for TV use 0093), 0060 (for TV use 0047)
Goldstar	0037 (for TV use 0056)
Harley Davidson	0000
Hitachi	0000
Lloyds	0000
Magnasonic	0278
Magnavox	0000, 0081 (for TV use 0054)
Magnin	0240
Memorex	0037
MGA	0240
Mitsubishi	0048 (for TV use 0093)
Orion	0002, 0479 (for TV use 0463)
Panasonic	0035 (for TV use 0051)
Radio Shack	0037
RCA	0240, 0035 (for TV use 0051), 0060 (for TV use 0047), 0048 (for TV use 0093)
Sansui	0000, 0240, 0479 (for TV use 0463)
Sanyo	0240
Sears	0000, 0037 (for TV use 0056)
Sharp	0048 (for TV use 0093)
Sony	0000, 0032 (for TV use 0000)
Sylvania	0081 (for TV use 0054)
Symphonic	0000
Thomas	0000
White Westinghouse	0278 (for TV use 0624)
Zenith	0000, 0479

NOTE: Some TV/VCR Combo codes may require a separate TV code to control volume. Check the codes above and follow the instructions in the “Programming TV Control” section (on the front side) using the supplied TV code. If there is no TV code listed for your TV/VCR Combo’s operating code, you will need to use the volume control capabilities of your General Instrument Cable Converter.

PROGRAMMING CABLE CONVERTER (OR DBS) CONTROL

When you received your DRC remote control, it was already programmed to operate your GI Cable Converter. However, if you want to control a DBS receiver or a different Cable Converter, perform the following instructions (otherwise skip to the next topic):

- Turn on the Cable Converter or DBS Receiver.
- On the DRC, press and hold CABLE (at least 6 seconds) until you see the programming mode start. Each of the mode key lights will turn off and on sequentially, starting with AUX on through TV, and the sequence will repeat twice. During this time, release CABLE and wait until it’s lit continuously.
- Locate your Cable Converter or DBS brand in the *SETUP CODES FOR CABLE CONVERTERS* or *SETUP CODES FOR DBS*s below. Brands are listed in alphabetical order with the most popular codes listed first.
- Enter the first four-digit code for your Cable Converter or DBS.If you perform this procedure correctly, the CABLE light will blink three times.

NOTE: If you enter an invalid code, the CABLE light will turn off. Repeat steps 2 through 4 with a valid code.

- Aim the DRC at your Cable Converter or DBS Receiver and and press POWER once. Your Cable Converter or DBS receiver should turn off. If it does not respond, repeat steps 2-4, trying each code listed for your brand until you find the one that operates your Cable Converter or DBS Receiver. If your unit still does not work with the DRC, try searching for the code (see *Searching For Your Code*).
- Write down the Cable Converter or DBS Receiver code in the boxes below for future reference.

NOTE: Remember, to use your DRC to operate your Cable Converter or DBS Receiver, press CABLE first.

Setup Codes for Cable Converters:

General Instrument	0000, 0001, 0002, 0003, 0004, 0005, 0006, 0008
Tocom	0005, 0007

Setup Codes for DBS Receivers:

General Instrument	0100, 0101, 0102, 0103, 0104, 0105, 0106, 0107
Primestar	0100, 0101, 0102, 0103

PROGRAMMING AUXILIARY COMPONENT CONTROL

To program the DRC to control an auxiliary component (e.g., a second TV or VCR, a GI DBS Receiver, or Digital Audio Tuner):

- Turn on your auxiliary component (and if it’s a VCR, insert a video cassette).
 - On the DRC, press and hold AUX (at least 6 seconds) until you see the programming mode start. Each of the mode key lights will turn off and on sequentially, starting with AUX on through TV, and the sequence will repeat twice. During this time, release AUX and wait until it’s lit continuously.
 - Locate the brand in the *SETUP CODES* listed for your type of auxiliary unit (e.g., VCRs, TVs, Cable Controllers, or DBS Receivers) or audio service listed below. Brands are listed in alphabetical order with the most popular codes listed first.
 - Press AUX, VCR, CABLE, or TV once to let the DRC know what type of device you want to assign to the AUX mode.
 - Enter the first four-digit code for your auxiliary component. If you perform this procedure correctly, the AUX light will blink three times.
- NOTE: If you enter an invalid code, the AUX light will turn off. In that case, repeat steps 2 through 5 with a valid code.*
- Aim the DRC at your auxiliary component and press POWER once (or PLAY once if it’s a VCR). The device should turn off (or start playing the tape). If the auxiliary component does not respond, repeat steps 2-6, trying each code listed for your brand until you find the one that operates your auxiliary component. If it still does not work with the DRC, try searching for the code (see *Searching For Your Code*).
 - Write down the auxiliary component type and its code in the spaces below for future reference.

TYPE: _____

NOTE: Remember, to use the DRC to operate your auxiliary component, press AUX first.

DRC Setup Codes for Miscellaneous Audio Services:

General Instrument	0201, 0200
Scientific Atlanta	0202

SEARCHING FOR YOUR CODE

If your TV,VCR, Cable Converter or Auxiliary Component does not respond to the DRC after trying all of the codes listed for your brand, or if your brand is not listed at all, try searching for your code.

For example, after trying all of the codes for your TV, you still cannot get the DRC to operate your TV, then:

- Turn on your TV.
 - On the DRC, press and hold TV (at least 6 seconds) until you see the programming mode start. Each of the mode key lights will turn off and on sequentially, starting with AUX on through TV, and the sequence will repeat twice. During this time, release TV and wait until it’s lit continuously.
 - Press the **▲** (UP) cursor key once to start the search mode.
- NOTE: In the search mode, the DRC will send IR codes from its library to the selected component, starting with the most popular codes first. When the component responds to a subsequent key command (e.g., POWER), the correct device code will be found.*
- Press POWER once. The TV key will light on and off, showing that an IR code has been sent.
 - If your television does not turn off, press the UP cursor key once again to call up the next IR code and press POWER once again.
 - If your television still does not turn off, repeat step 5 as many times as needed until your TV turns off.
 - When your television does turn off, a working code has been found. Press OK once to save the code and the TV key will blink three times, confirming the selection.
 - To search for the codes of your other components, repeat steps 1 through 7, but substitute the appropriate device key (i.e., VCR, CABLE, or AUX) for the component you are searching for.

CHECKING THE CODES

If you have set up the DRC using the *Searching For Your Code* procedure, you may need to find out which four-digit code is operating your equipment.

Perform the following procedure after you have set up your components to find out which four-digit code is operating your equipment.

For example, to find out which code is operating your TV:

- Turn on your TV.
- On the DRC, press and hold TV (at least 6 seconds) until you see the mode light sequence start. Each of the mode key lights will turn off and on sequentially, starting with AUX on through TV, and will repeat twice. During the sequence, release the TV key and wait until it stays lit continually.
- Press 9 - 9 - 0. The TV key will blink three times.
- To view the code for the first digit, press and release 1. Count the number of TV key blinks (e.g., 3 blinks = 3) and write down the number in the leftmost box below.

NOTE: The mode key will not blink if the code digit is a “0”.

TV

- Repeat step 4 three more times for each successive digit by pressing and releasing 2, 3, and then 4. Finish writing down the code in the boxes above.
- To check for the codes of your other components, repeat steps 1 through 5, only substitute the appropriate device key (i.e., VCR, CABLE, or AUX) for the component you are checking. Write down the codes in the boxes below.

VCR

CABLE

AUX

CHANGING VOLUME LOCK

Your new DRC is set to control volume of a component through its associated mode (i.e., through the *cable* in the Cable mode, through the *TV* in the TV mode, and through the *auxiliary device* in the Aux. mode). If your TV is not remote controllable, or if you would like the volume to be controlled by a different component, you can change the Volume Lock setting to control a volume through a non-associated mode (e.g., through the *cable* in the TV mode).

Changing the Volume Lock setting to the Cable or TV mode will change the volume control for all modes except Aux., which will continue to control its own volume. If you change the Volume Lock setting to the Aux.mode, all modes (i.e., Aux., Cable, and TV) will be controlled by the Aux.mode.

NOTE: The volume controls will not operate if Volume Lock is set to VCR mode.

To change the Volume Lock setting to the TV mode:

- On the DRC, press and hold TV (at least 6 seconds) until you see the programming mode start. Each of the mode key lights will turn off and on sequentially, starting with AUX on through TV, and the sequence will repeat twice. During this time, release TV and wait until it’s lit continually.
- Press and release VOLUME +.
- The TV key light will blink three times, indicating volume has been locked to the TV mode.
- Now, whenever you press VOLUME +, VOLUME –, or MUTE on the DRC, volume will be controlled by your TV.

To change the Volume Lock setting to the CABLE mode:

- On the DRC, press and hold CABLE (at least 6 seconds) until you see the programming mode start. Each of the mode key lights will turn off and on sequentially, starting with AUX on through TV, and the sequence will repeat twice. During this time, release CABLE and wait until it’s lit continuously.
- Press and release VOLUME +.
- The CABLE key light will blink three times, indicating volume has been locked to the CABLE mode.
- Now, whenever you press VOLUME +, VOLUME –, or MUTE on the DRC, volume will be controlled by your Cable Converter.

To change the Volume Lock setting to the AUX mode:

- On the DRC, press and hold AUX (at least 6 seconds) until you see the programming mode start. Each of the mode key lights will turn off and on sequentially, starting with AUX on through TV, and the sequence will repeat twice. During this time, release AUX and wait until it’s lit continuously.
- Press and release VOLUME +.
- The AUX key light will blink three times, indicating volume has been locked to the AUX mode.
- Now, whenever you press VOLUME +, VOLUME –, or MUTE on the DRC, volume will be controlled by your Auxiliary Device.

To unlock Volume Lock:

- On the DRC, press and hold a mode key (at least 6 seconds) until you see the programming mode start. Each mode key light will turn off and on sequentially, starting with AUX on through TV, and the sequence will repeat twice. During this time, release the mode key and wait until it’s lit continuously.
- Press and release VOLUME –.
- The mode key light will blink three times, indicating volume has been unlocked for the selected mode.
- Now, whenever you press VOLUME +, VOLUME –, or MUTE on the DRC, the volume controls will reset to their original device.

TROUBLESHOOTING

PROBLEM: A mode key does not blink or blinks 2 times when you press a key.

SOLUTION: Replace the batteries with two (2) new AA alkaline batteries.

PROBLEM: A mode key blinks when you press a key, but home entertainment component does not respond.

SOLUTION: Make sure the DRC is aimed at your home entertainment component and is not farther than 15 feet away.

PROBLEM: DRC does not control home entertainment components or commands are not working properly.

SOLUTION: Try all listed codes for the component brands being set up. Make sure they can be operated with an infrared remote control.

PROBLEM: TV/VCR combo does not respond properly.

SOLUTION: Use the VCR codes for your brand. Some combo units may require both a TV code and a VCR code for full operation.

PROBLEM: No volume on a 2nd TV.

SOLUTION: Follow instructions in *Changing Volume Lock*.

PROBLEM: CHANNEL+ , CHANNEL- , and LAST do not work for your RCA TV.

SOLUTION: Due to RCA design (1983-1987), only the original remote control will operate these functions.

PROBLEM: Changing channels does not work properly.

SOLUTION: If original remote control required pressing ENTER to change channels, press ENTER on the DRC after entering the channel number.

ADDITIONAL INFORMATION

The GI DRC does not have any user serviceable parts. Opening the case, except for the battery cover, may cause permanent damage to your GI remote control.

Copyright 1999 by General Instrument, Inc. No part of this publication may be reproduced, transmitted, transcribed, stored in any retrieval system, or translated to any language, in any form or by any means, electronic, mechanical, magnetic, optical, manual, or otherwise, without the prior written permission of General Instrument, Inc.

471005-001-99

12/99